



PRESSURE PUMPS

## DHJ800

### APPLICATION

- House & garden water supply
- Rainwater tank pump set
- Water transfer

### FEATURES

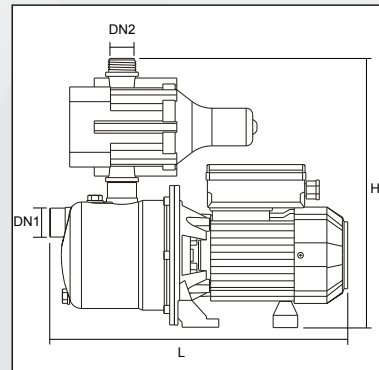
- Automatic pressure controller (Start & Stop on demand)
- Run dry protection
- Suitable for toilet & laundry supply

### CONSTRUCTION

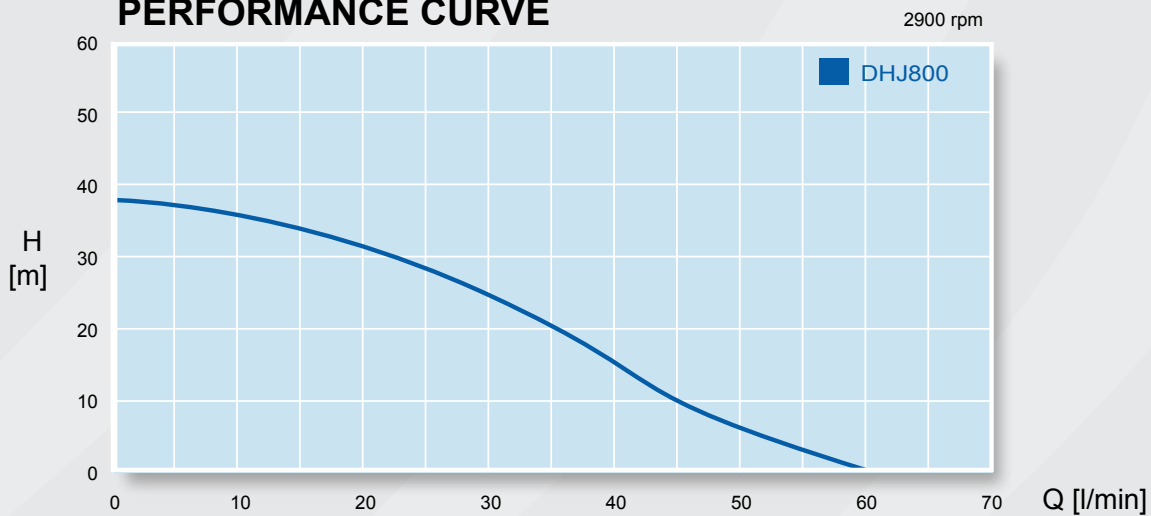
- Stainless steel pump housing
- Noryl volute, impeller & venturi
- Stainless Steel motor & pump shaft
- Brass coupling
- Carbon / Ceramic mechanical seal
- Motor IP44

### DIMENSIONS

| Pump Model | Size (mm) |     | DN1 | DN2 | G.W (KG) |
|------------|-----------|-----|-----|-----|----------|
|            | H         | L   |     |     |          |
| DHJ800     | 385       | 325 | 25F | 25M | 8.9      |



### PERFORMANCE CURVE



### TECHNICAL DATA

| Pump Model | Tap Qty Guide | Pump Style    | Power (P1) (kW) | Amps (A) | Voltage (V) | CONNECTION |             |              |
|------------|---------------|---------------|-----------------|----------|-------------|------------|-------------|--------------|
|            |               |               |                 |          |             | Inlet (mm) | Outlet (mm) | Cable (mtrs) |
| DHJ800     | 4             | Jet & Venturi | 0.8             | 3.4      | 220-240V    | 25         | 25          | 1.5          |