

**JET PUMP SYSTEMS**



**HSJ370**



**HSJ550  
HSJ750**



**HSJ1000**

HSJ Series are horizontal, stainless steel self-priming jet pumps, ideal for pumping clear water and other non-aggressive liquids. HSJ Series have a tough construction, with a stainless steel shaft and impeller, and IP 55 rated motors. Also having an AS4020 potable water certificate which makes the HSJ series compatible for household water supply applications. There are 4 models available which make choosing the right pump for a reliable water supply easy.

**HSJ370 | HSJ550 | HSJ750 | HSJ1000**

**APPLICATION**

- Household water supply and irrigation
- Rainwater tank pump set
- Water transfer
- Pressure boosting
- Pumping from underground tanks

**FEATURES**

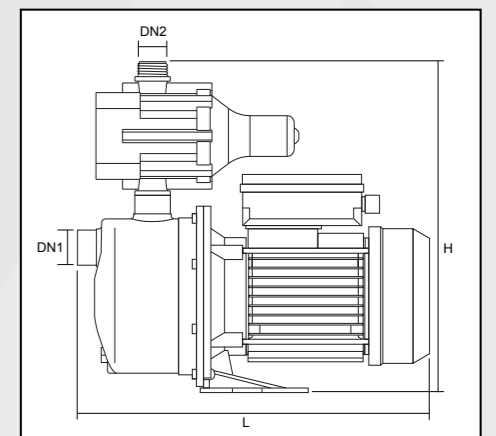
- Automatic pressure controller (Start & Stop on demand)
- Run dry protection
- Quick plug electrical connection for pressure controller
- Efficient on power consumption

**CONSTRUCTION**

- Pump body: AISI 304 Stainless steel
- Impeller: Stainless steel
- Motor shaft: Stainless steel
- Mechanical seal: Ceramic / Graphite / NBR
- IP55 motor
- Insulation class F
- Heavy duty brass coupling

**TECHNICAL DATA**

Pump Model	Power (kW)	Power (HP)	Max. FLOW (L/min)	Max. HEAD (m)	Max. SUCT (m)	Voltage (V)	Inlet/Outlet (mm)
HSJ370	0.37	0.50	55	36	8	220-240	1"x1"
HSJ550	0.55	0.75	70	38	8	220-240	1"x1"
HSJ750	0.75	1	80	45	8	220-240	1"x1"
HSJ1000	1.00	1.5	85	52	8	220-240	1"x1"



**DIMENSIONS**

Pump Model	Size (mm)			DN1	DN2	G.W (KG)
	H	L				
HSJ370	370	365	25F	25M	8.6	
HSJ550	400	355	25F	25M	10.6	
HSJ750	400	355	25F	25M	10.7	
HSJ1000	410	415	25F	25M	14	

**PERFORMANCE CURVE**

