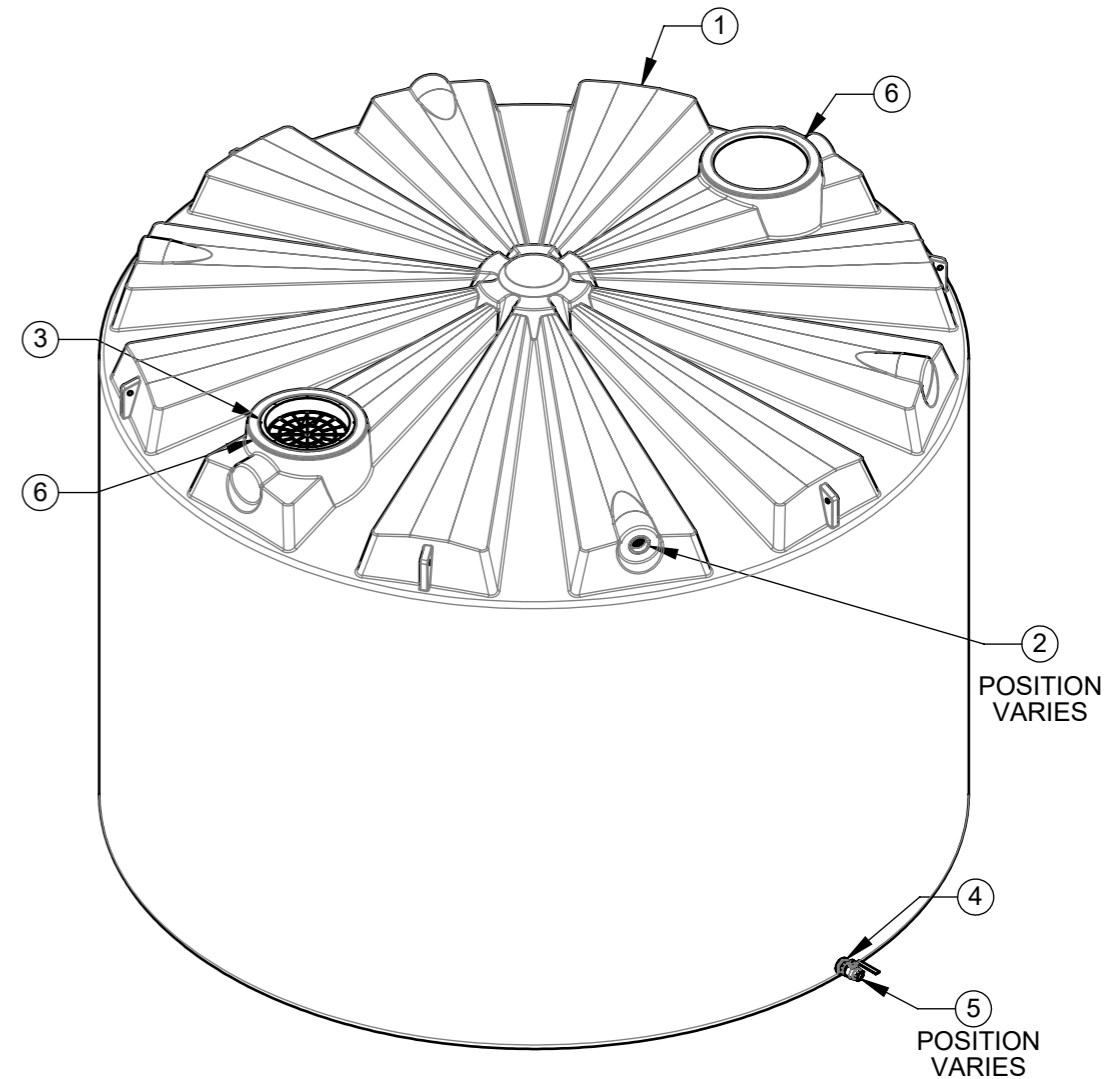


ITEM NO.	PRODUCT CODE	DESCRIPTION	QTY.
1	RWT50KL	50KL RAIN WATER TANK	1
2	OFF9	OVERFLOW PVC FLANGED 90MM	1
3	S5	500mm LEAF STRAINER	1
4	LHO1.5	40mm [1.5"] BRASS BSP TANK OUTLET	1
5	BV1.5L	40mm [1.5"] BALL VALVE - BRASS	1
6	MHCA	MANHOLE COVER ADAPTOR PLATE - BLACK	2



ISOMETRIC VIEW

NOTE:
DUE TO SHRINKAGE VARIATIONS IN MANUFACTURE,
ALL MEASUREMENTS ARE APPROXIMATE ONLY.

NOTE: ALL TOLERANCES UNLESS OTHERWISE STATED $\pm 10\text{mm} / \pm 1^\circ$
DO NOT SCALE, USE DIMENSIONS. ALL DIMENSIONS ARE IN mm
This drawing is the property of Polymaster Group Pty. Ltd. It cannot be copied
in part or in full without the written permission of Polymaster Group Pty. Ltd.

© POLYMASTER GROUP



161 KARINIE STREET
SWAN HILL. VIC.
3585
Ph: (03) 5033 9000
Fx: (03) 5033 0224

DESCRIPTION	50KL RAIN WATER TANK	A3 SHEET SIZE	SCALE: 1:40
PRODUCT CODE	RWT50KL GA		
MATERIAL		DRAWN	MV
COLOUR			
DRAWING No.	RWT50KL GA	28/06/22	1/1
			Rev: A