

SUBMERSIBLE PUMPS

Drainage & Vortex Submersibles

DHS SERIES

DHS400-VORTEX



APPLICATION

- Submersible installation
- Stormwater transfer
- Waste / Greywater transfer
- Dewatering

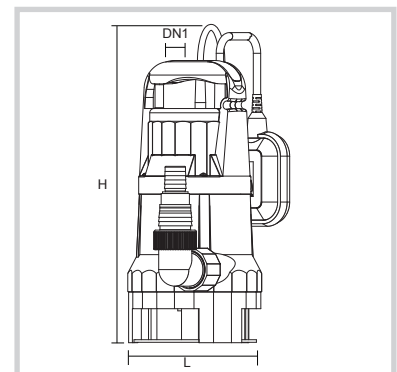
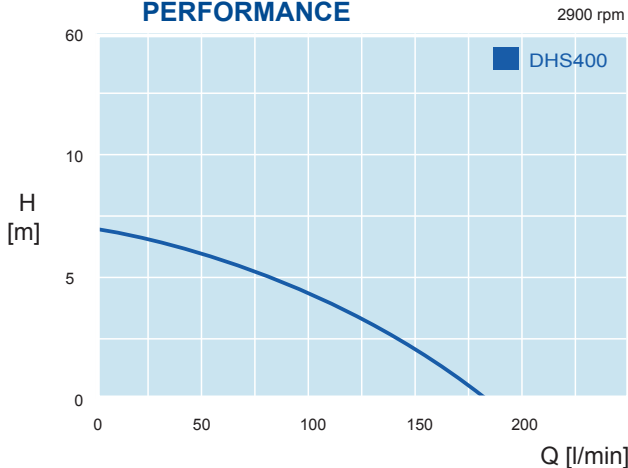
FEATURES

- Stainless steel motor and pump shaft
- Vortex impeller
- Mechanical seal with back-up lip seal
- Soft solids handling up to 30mm
- 10m power cable
- Corrosion resistant body and base

CONSTRUCTION

- Pump body: Technopolymer
- Motor shaft: Stainless steel AISI 304
- Impeller: Technopolymer
- Mechanical seal: Ceramic – Graphite
- Motor IP68
- Electric power cable HO5RN 10m with 3 pin

PERFORMANCE



DIMENSIONS

Pump Model	Size (mm)		DN1	G.W
	H	L	(KG)	
DHS400	330	210	32F	4.5

TECHNICAL DATA

Pump Model	Power (P2) (kW)	Amps (A)	Max. FLOW (L/min)	Max. HEAD (m)	Cable (m)	Pump Style	Outlet	Solids Passage (mm)
DHS400	0.40	2.2	156	7	10	Vortex	1-1/4"	30



DHS750-VORTEX



APPLICATION

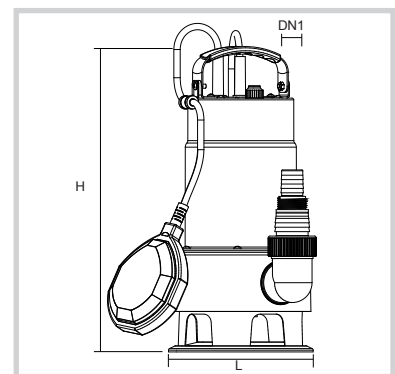
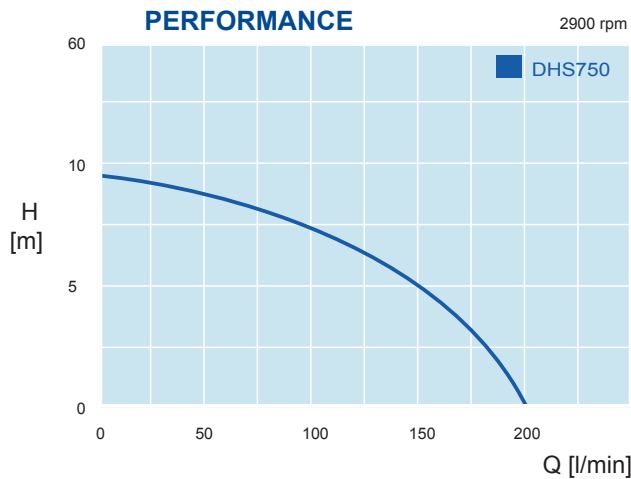
- Submersible installation
- Stormwater transfer
- Waste / Greywater transfer
- Dewatering

FEATURES

- Stainless steel motor and pump shaft
- Vortex impeller
- Mechanical seal with back-up lip seal
- Soft solids handling up to 30mm
- 10m power cable
- Corrosion resistant body and base

CONSTRUCTION

- Pump body: Stainless steel AISI 304
- Motor shaft: Stainless steel AISI 304
- Impeller: Technopolymer
- Mechanical seal: Ceramic – Graphite
- Motor IP68
- Electric power cable HO5RN 10m with 3 pin



DIMENSIONS

Pump Model	Size (mm)		DN1	G.W
	H	L		(KG)
DHS750	290	235	40F	6.9

TECHNICAL DATA

Pump Model	Power (P2) (kW)	Amps (A)	Max. FLOW (L/min)	Max. HEAD (m)	Cable (m)	Pump Style	Outlet	Solids Passage (mm)
DHS750	0.75	3.2	200	9	10	Vortex	1-1/2"	30