

WATER SOLUTIONS FOR AUSTRALIAN INDUSTRIES



SLIMLINE WATER TANKS

ROUND WATER TANKS

UNDERDECK WATER TANKS

VERTICAL UNDERGROUND TANKS

PUMPS & ACCESSORIES

A modern collection of exceptional quality rainwater tanks made for greater water sustainability in Australia. Crafted using expert rotational moulding skills, knowledge, and experience.

WELCOME

Hello.

Welcome to our trusted range of rainwater tanks.



OUR GUARANTEE

A Rotoplas rainwater tank is a lasting investment. And that is the way it should be. High quality products and workmanship are in our DNA.

With confidence we cover all of our rainwater tanks with a 10-year warranty, and vertical underground tanks with a 5-year warranty, for your peace of mind.

We encourage you to register your warranty online at rotoplas.com.au



POLYETHYLENE ADVANTAGE

All of our rainwater tanks are formed from food grade rotationally moulded polyethylene. Which means they are:

- ✓ Lightweight
- ✓ Rust free
- ✓ UV resistant
- ✓ Safe for drinking from
- ✓ Exceptionally strong

Important to note:

During manufacture, the shrinkage of polyethylene varies up to approximately 3%, which means our tanks are never truly identical.

All sizes, measurements and capacities are approximate, and all specifications are subject to change as we continue to make our range of rainwater tanks the best it can be.

It is important that you check (and double check) your measurements to ensure the product you choose is the right one for your space. If you have any questions about this, just let us know and we will help.



DOMESTIC

Round water tanks, slimline water tanks and under deck water tanks are all popular choices for new homes, for use in the laundry, kitchen and yard.



AGRICULTURAL

A rural water tank is a must on a farm, for irrigating crops, keeping animals watered and cool, and washing farm machinery.



COMMERCIAL

Under deck tanks and underground tanks are innovatively designed to serve as either a water storage source or a trade waste solution.



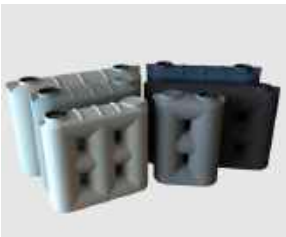
WHY INVEST IN A RAINWATER TANK?

Page 04



WHY CHOOSE ROTOPLAS?

Page 05



SLIMLINE WATER TANKS

Page 06



ROUND WATER TANKS

Page 08



UNDER DECK WATER TANKS

Page 12



VERTICAL UNDERGROUND TANKS

Page 14



PUMPS & ACCESSORIES

Page 16



COLOUR OPTIONS

Page 18



INSTALLATION INSTRUCTIONS

Page 19



FREIGHT DETAILS

Page 19

WHY INVEST IN A RAINWATER TANK?

Climate in Australia

We have proved since first beginning in business (back in the Millennium Drought of the early 00's) that Australians are adaptable and resilient and will take proactive measures to see through adversity.

This is demonstrated in the many thousands of rainwater tanks we have produced for our fellow Australians who recognise the supreme value in storing our rainwater to help us through the fierce and frequent droughts we experience in our country, the driest inhabited continent on Earth.

Sustainability with BASIX

When building or renovating in NSW, a rainwater tank is often one of the first measures utilised to achieve the water sustainability score and obtain a BASIX certificate.

What is BASIX?

BASIX is a New South Wales government planning tool which affects all residential developments throughout NSW with a total estimated cost of works of \$50,000 or more. By meeting practical design requirements, new residential dwellings and alterations use less water and energy, saving you money and contributing to environmental sustainability.

How does BASIX work?

BASIX is an online program accessible by everyone. The user enters design data relating to the proposed development – such as location, size and building materials – into the BASIX tool. BASIX analyses the data and determines how it scores against the energy and water targets. The design must pass specific targets before the user can then print the BASIX Certificate.

The BASIX Certificate

This lists all the commitments the user has agreed to, and the Certifying Authority will check these at various stages of construction. The BASIX Certificate must be attached to the development application before it can be processed.

Sustainability Options

BASIX is flexible and easy to use, allowing users to determine how they will meet targets from a wide range of options such as rainwater tanks, water-saving fixtures, improved insulation, passive solar orientation, natural lighting, and native plants for gardens.

For more information, visit the BASIX website at basix.nsw.gov.au.

For more information about BASIX



www.basix.nsw.gov.au

WHY CHOOSE ROTOPLAS?

Investing in a Rotoplas rainwater tank is a well-considered choice.

If you value superior style and thoughtful design; enduring product strength and longevity backed up by a manufacturer's guarantee; and local, family-owned Australian manufacturing, then it's a fit; your values align with ours.

With our compliments, here is what you gain by choosing Rotoplas:

- ✓ **Extensive colour choice** to match the style of your home and property. We offer the Colorbond range, and more, at no extra cost.
- ✓ Supreme **self-supporting structural design** backed up by rigorous testing. Our tank designs have been stress tested by a qualified engineer and have no need for additional support poles or arms.
- ✓ **Quality fittings** including brass outlets supplied standard. Rather than leak-prone plastic fittings, we mould brass fittings into our tanks, at no extra cost.
- ✓ **Maximum product weight** to ensure stronger wall thickness. Less raw material would save cost, but we prefer to give you peace of mind.
- ✓ **Certified UV resistance**, providing extreme long-term durability. All of our raw material is certified UV-resistant so that you don't have to worry about the risk of weather exposure.
- ✓ **Excellence in workmanship and service** from our friendly, helpful, professional team. We respect your investment and are committed to providing the highest quality workmanship and service at all times.
- ✓ Valued contribution to **local Australian businesses and communities**. Rotoplas is 100% Australian owned and operated, supporting local manufacturers, jobs, and communities.

SLIMLINE WATER TANKS



In an environment where residential blocks in NSW are getting smaller, and development density is increasing, slimline water tanks are many a builder's dream come true.

Slimline water tanks are the go-to when designing a home on a small block and trying to fit a considerable rainwater saving capacity into a narrow space. Characterised by a long, narrow footprint, their ingenious ability to hold thousands of litres in a very small footprint brings a practical solution to the ever growing space dilemma and makes a slimline water tank an easy choice for beside a building or in a narrow space.

Slimline water tanks are a popular choice for townhouses, duplexes, villas, and other developments of multiple dwellings, where water storage capacity is significant, yet space is limited.

As a bonus, the unique appearance of a slimline water tank can also be used as a design feature in modern homes.





1500 Litre
Slimline Water Tank



2000 Litre
Slimline Water Tank



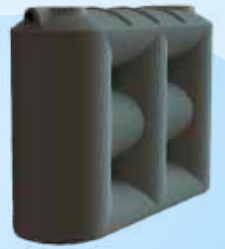
3000 Litre
Slimline Water Tank



3000 Litre
Super Slimline Water Tank



4000 Litre
Slimline Water Tank

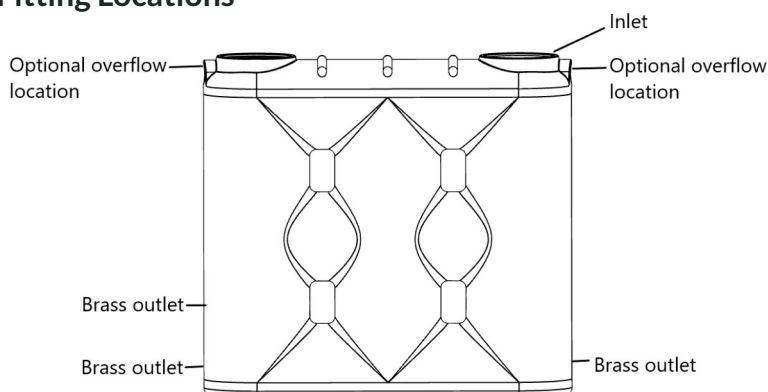


5000 Litre
Slimline Water Tank

SPECIFICATIONS

CODE	CAPACITY (L)	DIMENSIONS (MM)	FITTINGS
SWT1500	1500	1460L x 680W x 2050H	<ul style="list-style-type: none"> ✓ 400mm leaf strainer ✓ 90mm overflow (loose) ✓ 2 x 1" BSP brass outlets ✓ 1 x 1" BSP brass bucket outlet
SWT2000	2000	2175L x 625W x 2015H	<ul style="list-style-type: none"> ✓ 400mm leaf strainer ✓ 90mm overflow (loose) ✓ 2 x 1" BSP brass outlets ✓ 1 x 1" BSP brass bucket outlet
SWT3000	3000	2400L x 750W x 2190H	<ul style="list-style-type: none"> ✓ 400mm leaf strainer ✓ 90mm overflow (loose) ✓ 2 x 1" BSP brass outlets ✓ 1 x 1" BSP brass bucket outlet
SSWT3000	3000	3100L x 680W x 2000H	<ul style="list-style-type: none"> ✓ 400mm leaf strainer ✓ 90mm overflow (loose) ✓ 2 x 1" BSP brass outlets ✓ 2 x 1" BSP brass bucket outlets
SWT4000	4000	2810L x 870W x 2190H	<ul style="list-style-type: none"> ✓ 400mm leaf strainer ✓ 90mm overflow (loose) ✓ 2 x 1" BSP brass outlets ✓ 1 x 1" BSP bucket outlet
SWT5000	5000	3180L x 960W x 2190H	<ul style="list-style-type: none"> ✓ 400mm leaf strainer ✓ 90mm overflow (loose) ✓ 2 x 1" BSP brass outlets ✓ 1 x 1" BSP brass bucket outlet

Fitting Locations



Helpful References:

- Colour options - page 18
- Installation instructions - page 19
- Freight details - page 19

ROUND WATER TANKS



Small Round Water Tanks

A round water tank is a valuable investment when space is not a limiting factor. If you have a large yard, plenty of space between your house and your property boundary, plenty of width beside a shed or any other spacious area on your block, then a round water tank may just be the right choice for you.

A round water tank is typically the most cost effective type of water tank on a per litre basis.

Our small round water tanks are ideal for providing sufficient water capacity for domestic applications such as laundry, kitchen, and garden use. Our large round water tanks are popular on rural properties for washing vehicles and machinery, and watering crops and animals.

Our range of round water tanks are a classic corrugated style, suitable for traditional, heritage or modern homes.

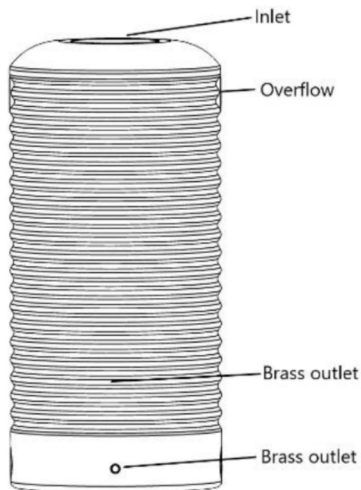




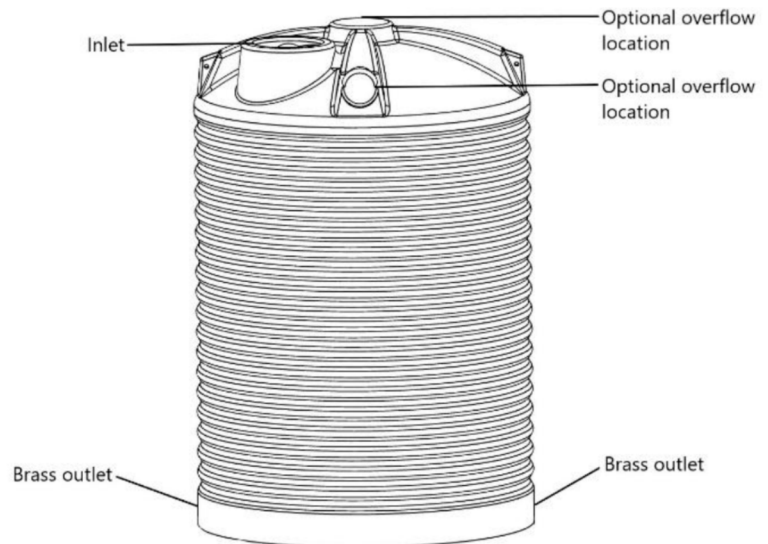
SPECIFICATIONS

CODE	CAPACITY (L)	DIMENSIONS (MM)	FITTINGS
RWT500S	500	900D x 1000 inlet H/ 1000 overall H	<ul style="list-style-type: none"> ✓ 400mm leaf strainer ✓ 90mm overflow (loose) ✓ 1 x 1" BSP brass outlet ✓ 1 x 1" BSP brass bucket outlet
RWT1000	1000	900D x 1900 inlet H/ 1900 overall H	<ul style="list-style-type: none"> ✓ 400mm leaf strainer ✓ 90mm overflow (loose) ✓ 1 x 1" BSP brass outlet ✓ 1 x 1" BSP brass bucket outlet
RWT1000S	1000	1300D x 1050 inlet H/ 1100 overall H	<ul style="list-style-type: none"> ✓ 300mm leaf strainer ✓ 90mm overflow (loose) ✓ 2 x 1" BSP brass outlets
RWT1350	1350	1000D x 2050 inlet H/ 2050 overall H	<ul style="list-style-type: none"> ✓ 400mm leaf strainer ✓ 90mm overflow (loose) ✓ 1 x 1" BSP brass outlet ✓ 1 x 1" BSP brass bucket outlet
RWT1675	1675	1100D x 2050 inlet H/ 2050 overall H	<ul style="list-style-type: none"> ✓ 400mm leaf strainer ✓ 90mm overflow (loose) ✓ 1 x 1" BSP brass outlet ✓ 1 x 1" BSP brass bucket outlet
RWT2500	2500	1300D x 1950 inlet H/ 2000 overall H	<ul style="list-style-type: none"> ✓ 300mm leaf strainer ✓ 90mm overflow (loose) ✓ 2 x 1" BSP brass outlets
RWT2500S	2500	1800D x 1230 inlet H/ 1300 overall H	<ul style="list-style-type: none"> ✓ 400mm leaf strainer ✓ 90mm overflow (loose) ✓ 2 x 1" BSP brass outlets
RWT3500	3500	1550D x 1950 inlet H/ 2050 overall H	<ul style="list-style-type: none"> ✓ 400mm leaf strainer ✓ 90mm overflow (loose) ✓ 2 x 1" BSP brass outlets
RWT5000	5000	1800D x 2180 inlet H/ 2250 overall H	<ul style="list-style-type: none"> ✓ 400mm leaf strainer ✓ 90mm overflow (loose) ✓ 2 x 1" BSP brass outlets

Fitting Locations



RWT500S, RWT1000,
RWT1350, RWT1675



RWT1000S, RWT2500,
RWT2500S, RWT5000



500 Litre Round Water Tank



1000 Litre Round Water Tank Squat



1000 Litre Round Water Tank Tall



1350 Litre Round Water Tank



1675 Litre Round Water Tank



2500 Litre Round Water Tank Squat



2500 Litre Round Water Tank Tall



3500 Litre Round Water Tank



5000 Litre Round Water Tank



7000 Litre Round Water Tank



10000 Litre Round Water Tank



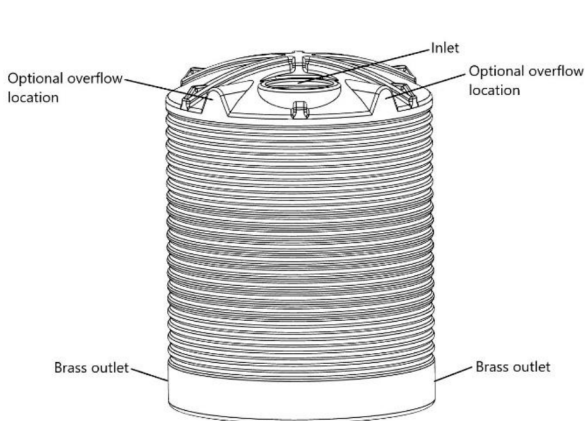
22700 Litre Round Water Tank

Large Round Water Tanks

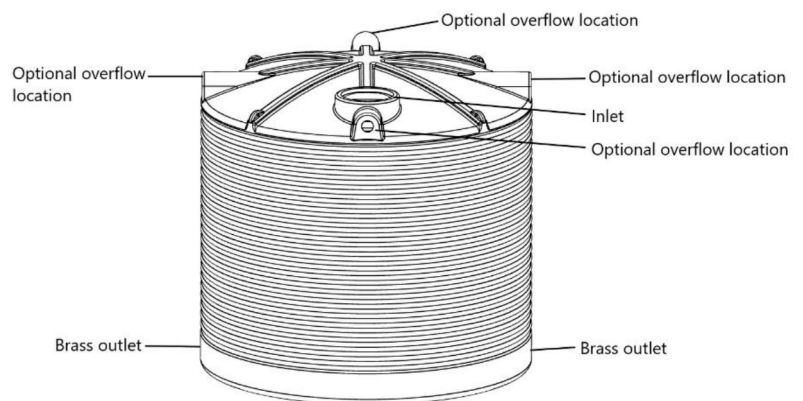
SPECIFICATIONS

CODE	CAPACITY (L)	DIMENSIONS (MM)	FITTINGS
RWT7000	7000	2050D x 2350 inlet H/ 2450 overall H	<ul style="list-style-type: none"> ✓ 400mm leaf strainer ✓ 90mm overflow (loose) ✓ 2 x 1" BSP brass outlets
RWT10000	10,000	2500D x 2320 inlet H/ 2420 overall H	<ul style="list-style-type: none"> ✓ 400mm leaf strainer ✓ 90mm overflow (loose) ✓ 2 x 1" BSP brass outlets
RWT22700	22,700	3600D x 2390 inlet H/ 2680 overall H	<ul style="list-style-type: none"> ✓ 500mm leaf strainer ✓ 90mm overflow (loose) ✓ 2 x 1½" BSP brass outlets

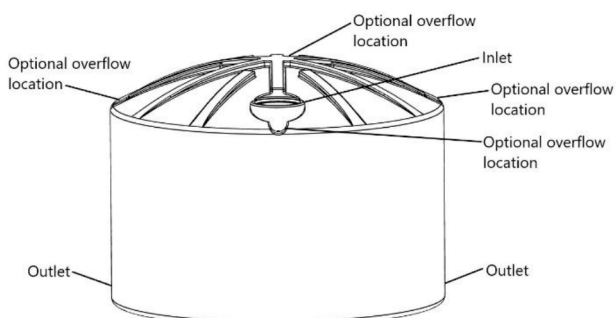
Fitting Locations



RWT3500, RWT7000



RWT10000



RWT22700

Helpful References:

- Colour options - page 18
- Installation instructions - page 19
- Freight details - page 19

UNDERDECK WATER TANKS



An underdeck water tank is one of the few tanks you can store completely out of sight, usually under a deck, hence its name.

In that sense, it is the most efficient use of space, as the void filled by an underdeck water tank would otherwise be wasted space, and tanks would have to be installed elsewhere on the site.

They are often used on steep blocks where site excavation leaves a void under a house or deck, and there is little to no alternative large, flat location for a water tank.

Our underdeck water tanks come in two shapes; the flat, 'squat' style which is made for low height spaces, and the taller style, which is made for narrow spaces with greater height availability.

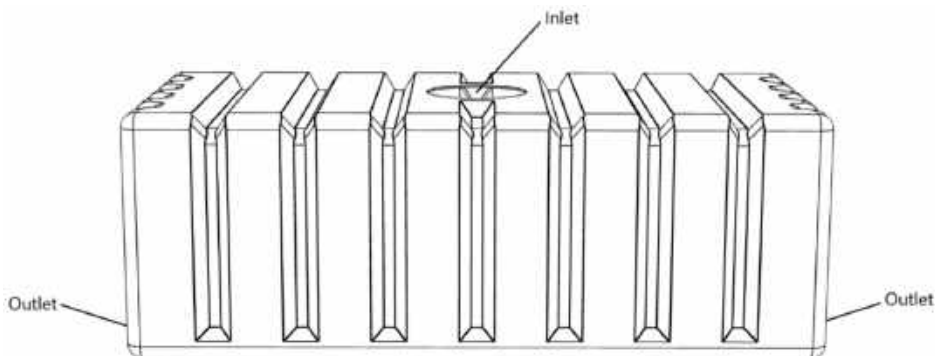




SPECIFICATIONS

CODE	CAPACITY (L)	DIMENSIONS (MM)	FITTINGS
UDWT2000	2000	2400L x 1200W x 850 H	<ul style="list-style-type: none"> ✓ 400mm leaf strainer ✓ 90mm overflow (loose) ✓ 2 x 1" BSP outlets
UDWT2000S	2000	2400L x 1800W x 550H	<ul style="list-style-type: none"> ✓ 200mm leaf strainer ✓ 90mm overflow (loose) ✓ 2 x 1" BSP outlets

Fitting Locations



**Overflow is provided loose and can go on any flat section of wall

Helpful References:

- Colour options - page 18
- Installation instructions - page 19
- Freight details - page 19

VERTICAL UNDERGROUND TANKS



Vertical underground tanks, sometimes known as pump wells, are commonly used across the construction industry for sewage pump stations, lift stations, storm water pump systems and rainwater storage systems. They are suitable for both large urban stormwater or sewage requirements and small residential rainwater storage.

The critical requirement of underground tanks is extreme strength and toughness. Our vertical underground tanks are exceptionally strong, and are manufactured to the highest industry standards; having been:

- Finite Element Analysis (FEA) stress tested and approved by a qualified engineer
- Fully tested to 5kn top load
- Designed to meet and exceed the requirements of AS1546.1

Maximum shot weight for wall thickness, and unique ribbed design for pressure distribution, creates a superior toughness in our vertical underground tanks that you know you can trust.



ATTENTION : *Underground Tanks must be installed in accordance with our installation instructions. Please refer to our website for details.*





Tanks

Code	Capacity (L)	Dimensions (mm)
VUT250	250	730 outer D/ 630 inner D x 875 H
VUT700	700	1150 outer D/ 1050 inner D x 1100 H
VUT1200	1200	1150 outer D/ 1050 inner D x 1660 H
VUT3000	3000	1750 outer D/ 1650 inner D x 2165 H
VUT5000	5000	1925 outer D/ 1825 inner D x 2500 H

*Tanks are supplied as tank only; risers and lids must be ordered separate.
Vertical underground tanks are available in black only.*

Risers

Code	Description	Dimensions (mm)
UTR66150	Polyethylene vertical underground tank riser 150mm (suits 250-1200L)	600L x 600W internal, adds 150mm to tank height
UTR66300	Polyethylene vertical underground tank riser 300mm (suits 250-1200L)	600L x 600W internal, adds 300mm to tank height

Lids

Code	Description	Dimensions (mm)
UTL66A	Polyethylene pedestrian duty lid (suits 250-1200L)	700L x 700W
UTL69A	Polyethylene pedestrian duty lid (suits 3000, 5000L)	900L X 600W
CIUTL66B	Cast iron lid- class B (suits 250-1200L)	600L x 600W
CIUTL66D	Cast iron lid- class D (suits 250-1200L)	600L x 600W
CIUTL69B	Cast iron lid- class B (suits 3000, 5000L)	900L x 600W
CIUTL69D	Cast iron lid- class D (suits 3000, 5000L)	900L x 600W

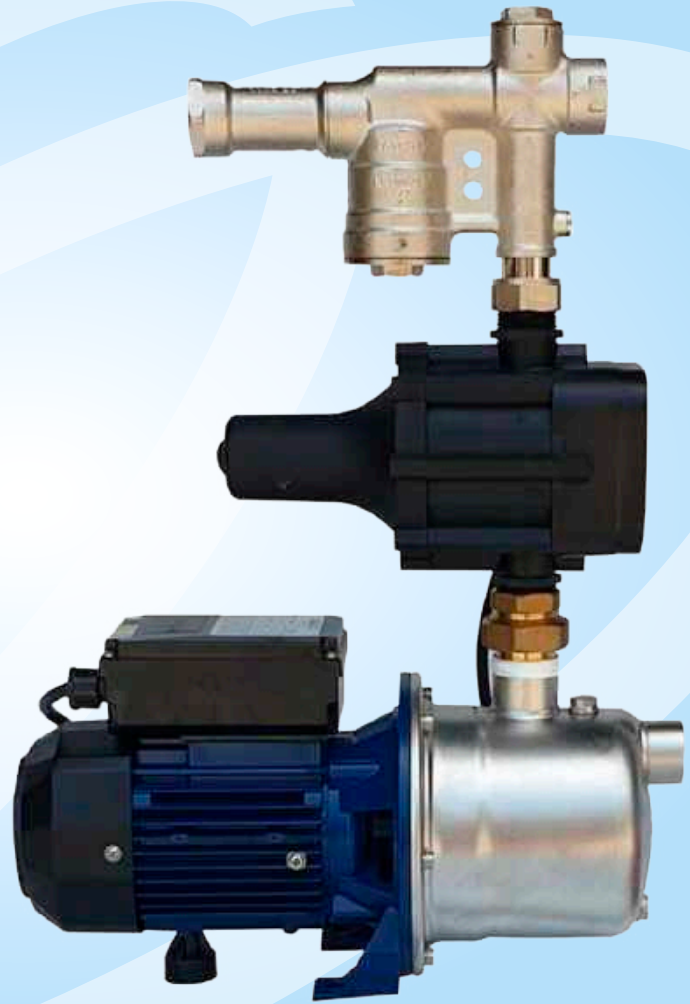
PUMPS & PUMP COVERS

Pumps

We stock a range of trusted pumps that are efficient and easy to install. They are tested to AS4020 for potable water, and manufactured from high quality, WaterMark certified components.

How to choose the right pump?

Consider the amount of usage, as well as the distance the water has to travel from the tank to the usage location, then refer to the table below for types of pumps we stock. Brands may vary depending on availability.



Pump Type	Features	Max Flow	Typical Applications (dependent on individual requirements)
External pressure pump	<ul style="list-style-type: none"> ✓ Reliable, efficient, power-saving performance ✓ Automatic pressure controller giving consistent pressure supply ✓ Run-dry protection and thermal overload protection to protect the pump ✓ Automatic check for water every 24 hours after a run-dry event 	55L/min	<ul style="list-style-type: none"> ✓ Laundry and garden taps ✓ Small house (1 bathroom) or cabin supply
External pressure pump with rain to mains changeover system	<ul style="list-style-type: none"> ✓ Pressure pump features as above ✓ Stops mains supply while there is any rainwater in the tank, otherwise allows mains water to flow 	62L/min	<ul style="list-style-type: none"> ✓ Whole house supply ✓ Toilet blocks ✓ Garden irrigation ✓ Council parks irrigation ✓ Hotels/ motels ✓ Factories/ warehouses/ units/ complexes
Submersible pressure pump with rain to mains changeover system	<ul style="list-style-type: none"> ✓ Stops mains supply while there is any rainwater in the tank, otherwise allows mains water to flow ✓ Simply plug in pump; no electrician required ✓ Integrated pressure controller with auto re-start and run dry protection ✓ Compact design with water cooled motor ✓ Corrosion resistant 	82L/min	<ul style="list-style-type: none"> ✓ Whole house supply ✓ Toilet blocks ✓ Garden irrigation ✓ Council parks irrigation ✓ Hotels/ motels ✓ Factories/ warehouses/ units/ complexes

Pump Covers

We also supply pump covers to allow you to protect your pump from the weather, to keep the noise levels down, and to complete your rainwater tank system by keeping the electrical components of your pump out of sight.

They're quick and easy to install, and available in a great range of colours to match your tank



CODE	DESCRIPTION	DIMENSIONS (MM)	COLOURS
RPC	Polyslab pump cover + base.	640L x 340W x 550H	<ul style="list-style-type: none"> ✓ Beige ✓ Birch Grey ✓ Charcoal ✓ Heritage Green ✓ Jasper ✓ Merino ✓ Mist Green ✓ Rivergum ✓ Smooth Cream ✓ Surfmist ✓ Woodland Grey ✓ Wheat ✓ Windspray

Accessories

Our rainwater tanks are supplied fitted with an inlet strainer, a number of BSP outlets depending on the tank model, and an overflow is supplied loose for fitting at the time of installation. You can refer to each product page to see fitting locations and details.

Visit our website for our full range of tank accessories, including overflows, ball valves, outlets and more.










We can also supply additional fittings including welded spigots and stub flanges. If you need to make changes to the fit out of your tank, please call us on 1800 218 000 to discuss your customised fitting requirements.

Where there are any changes required to standard tank fitting, we require a drawing indicating the preferred fitting locations.



RAINWATER TANKS COLOUR OPTIONS

Rainwater Tanks Colour Options

Woodland Grey®	
Windspray®	
Ironstone®	
Basalt®	
Monument®	
Night Sky®	
Terrain®	
Manor Red®	
Cottage Green®	
Pale Eucalypt®	
Wilderness®	
Mangrove®	
Evening Haze®	
Classic Cream™	
Wheat	
Beige	
Cove®	
Paperbark®	
Gully®	
Jasper®	
Deep Ocean®	
Surfmist®	
Dune®	
Shale Grey™	
Wallaby®	

® Colour names are registered trademarks of BlueScope Steel Ltd. ™ colour names are trademarks of BlueScope Steel Ltd. Colours may not be completely accurate due to printing. Rotoplas (Aust) Pty Ltd accepts no responsibility for shade variations due to the printing process and supplier tolerances.

Please choose your colour carefully as we do not refund or exchange for incorrectly ordered colours.

INSTALLATION INSTRUCTIONS

ABOVE GROUND Rainwater Tank Installation

It is recommended that your rainwater tank be installed by a licensed plumber with experience in installing rainwater tanks. When installing above ground tanks, the following instructions must be noted:

- The tank site must be flat, level, well compacted and free from any rocks, stones, and sharp objects
- The prepared site must be at least 600mm larger in diameter than the rainwater tank
- A reinforced concrete slab is the ideal tank pad and must be greater than the diameter of the tank
- If material other than concrete is used, a retaining wall or surround must be provided to prevent erosion
- The overflow must be piped well clear of the tank to avoid undermining of the tank base
- A flexible hose of at least 300mm must be installed after the outlet valve to absorb any shocks or movement
- Modular tanks must be installed on a reinforced concrete slab.



FREIGHT DETAILS

Delivery regions

We deliver our rainwater tanks to regions on the New South Wales coast, and inland to Australian Capital Territory (ACT). This includes but is not necessarily limited to the following regions:

- Newcastle
- Central Coast
- Greater Sydney
- Wollongong
- Southern Highlands
- Shoalhaven
- ACT
- South Coast

If you are not sure whether you are covered by these areas, please feel free to give us a call.

Order and delivery process

Our rainwater tanks are made to order, with a lead time for manufacture which varies depending on our schedule. At the time of order, we will provide an indicative lead time; then, once your tank is made, you will receive a call from us to confirm a suitable delivery day. Prior to delivery, you will receive a call or a text to advise an approximate delivery time.

Requirements for onsite tank deliveries:

To allow for a smooth delivery process, we need you to confirm that we will have no difficulty in accessing your property, and that there will be someone home to assist and secure the tank.

We require clear access for a truck and trailer combination which is up to 19 metres long, 2.5 metres wide and 4.6 metres high. If this is not provided or is impossible, the driver will leave the tanks at the closest possible place.

In addition to the driver, we require at least one other able-bodied person present on site for the delivery to assist the driver with unloading the tank/s.

It is important to note that it is the owner's responsibility to store the tank securely to prevent it from rolling or blowing away if it is unable to be installed straight away.

It is also important to note that a Rotoplas rainwater tank delivery does not include positioning or installation. The delivery driver is responsible only for a kerbside drop, and any additional services are at the discretion of the driver and may incur additional cost.





📞 Free Call 1800 218 000 🌐 www.rotoplas.com.au