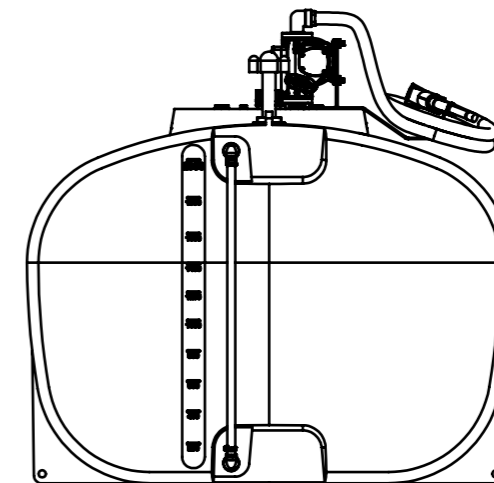
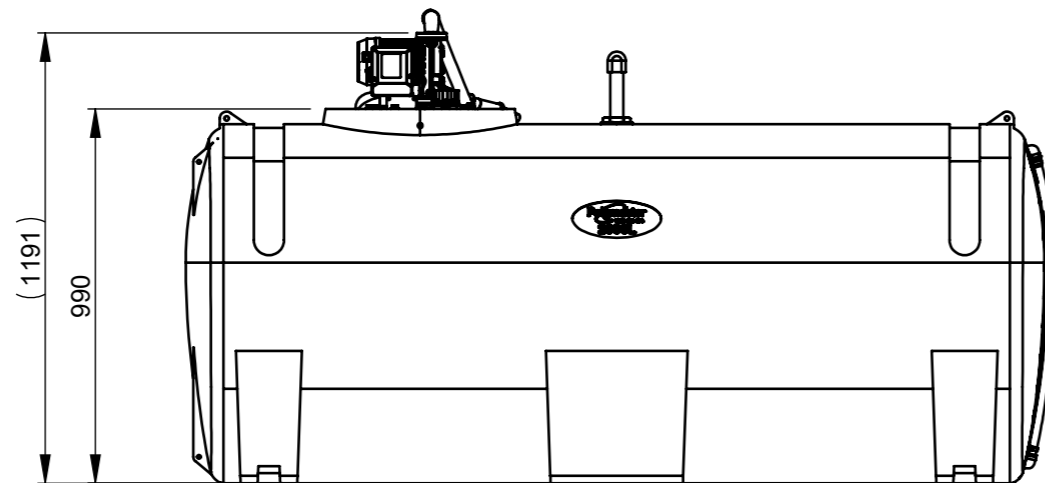
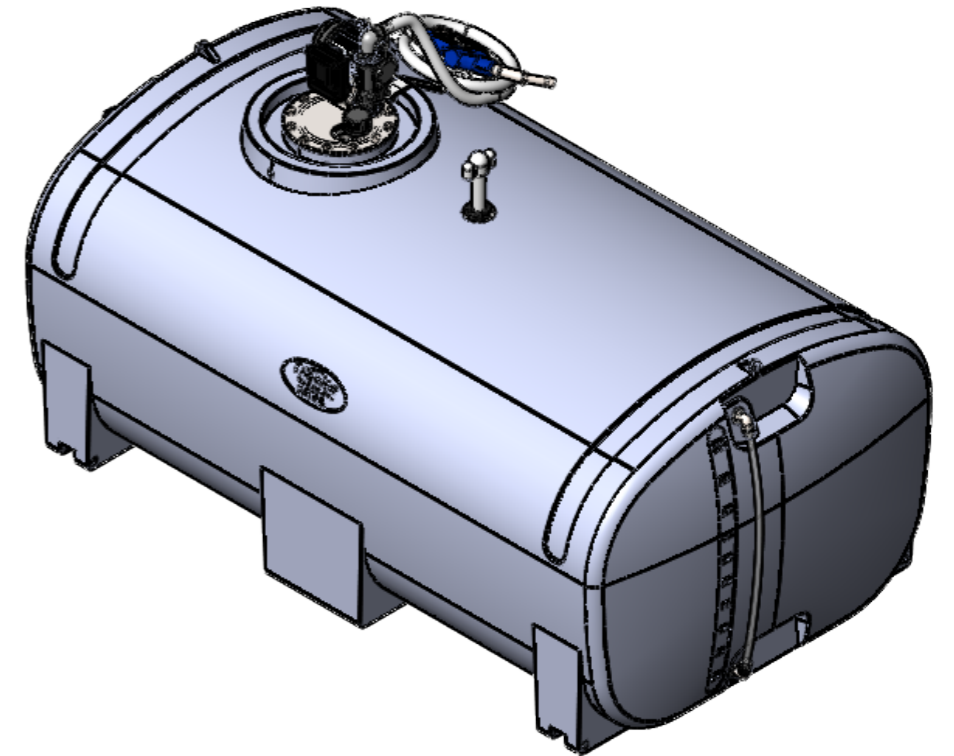
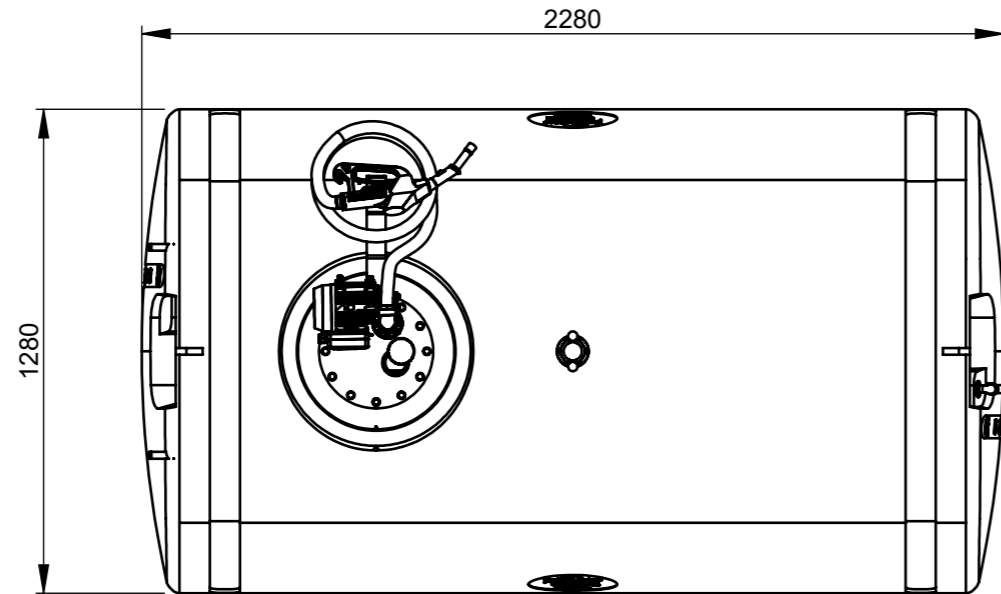


# DMP2000-S-240V



## SPECIFICATIONS

- : 2000ltr Diesel tank (with feet pin mounts)
- : 70LPM Piusi 240V Diesel Pump
- : 4mtr Delivery hose
- : Automatic trigger nozzle
- : Telescopic Suction Pipe
- : Strainer
- : Mushroom breather

NOTE: ALL TOLERANCES UNLESS OTHERWISE STATED  $\pm 10\text{mm} / \pm 1^\circ$   
 DO NOT SCALE, USE DIMENSIONS. ALL DIMENSIONS ARE IN mm  
 This drawing is the property of Polymaster Group Pty. Ltd. It cannot be copied in part or in full without the written permission of Polymaster Group Pty. Ltd.

© POLYMASTER GROUP



161 KARINIE STREET  
 SWAN HILL. VIC.  
 3585  
 Ph: (03) 5033 9000  
 Fx: (03) 5033 0224

DESCRIPTION	DMP2000 - SQUAT SERIES		A3 SHEET SIZE	SCALE: 
PRODUCT CODE	VARIES			
MATERIAL	SEE PARTS LIST		DRAWN	RF
COLOUR	SG			
DRAWING No.			17/06/2022	4/4 Rev: A