

RAIN HARVESTING

by Blue Mountain Co

RAIN HARVESTING
by Blue Mountain Co

Tank Gauge



Installation and Specification Guide

PRODUCT DETAILS

Monitor your rainwater supply with this easy-to-read, tank-top water level indicator.

TATG02 Tank Gauge

FEATURES AND BENEFITS

- Measure stored water at a glance
- Easy to read dial face with Empty and Full indicators
- No batteries or wiring required
- Utilises a reliable float system
- Suitable for all existing and new tanks
- Suitable for all vented tanks above and below ground up to 2.5 metres (100 inches) in height
- Able to be securely installed on a wide variety of tank shapes (dome-topped, flat, peaked)
- UV resistant

Installation

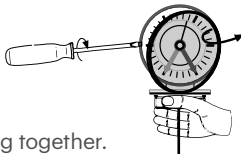
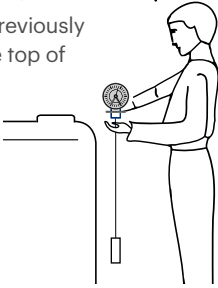


WHAT'S IN THE BOX

- Tank Gauge with solid float attached
- 2 screws

TOOLS/MATERIALS YOU MAY REQUIRE

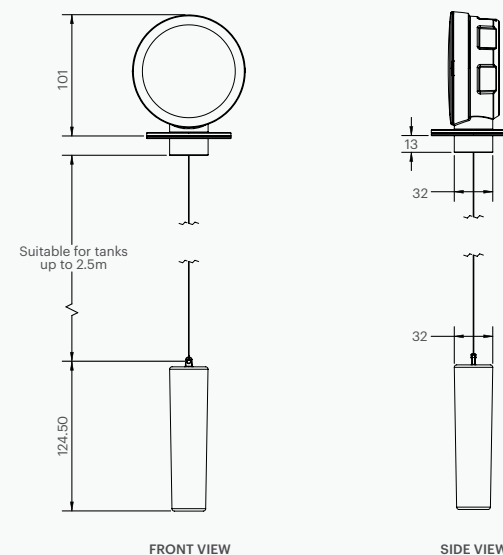
- Marker pen
- Tape measure
- 32mm (1.25") spade bit or 32mm holesaw
- Flathead screwdriver or 5 cent piece (nickel)
- Screwdriver

TANK GAUGE

1. Select an installation point on top of your tank for your Tank Gauge. Ideally, this should be a flat area that will allow you to view the gauge face easily. Mark your chosen installation point.
2. Use a power drill fitted with a 32mm (1.25") spade bit or holesaw to create a 32mm (1.25") hole in your tank at the marked location.
3. Carefully remove the front clear cover from your Tank Gauge with the edge of a flathead screwdriver or 5 cent piece (nickel) to enable access to the moveable empty and full indicators 
4. Note: Steps 5-10 are more easily accomplished with two people working together.
5. Have one person hold the base of your Tank Gauge at the height of the previously drilled installation hole and have the other person lower the float until the top of the float is level with the bottom of your tank overflow outlet. If your overflow outlet is not near the installation site, measure down from a known common point on the tank and use this measurement to set the float as described. 
6. Move the green "full" dial/indicator to where the black water level dial/indicator is pointing.
7. While one person continues to hold your gauge in place as described in step 5, have the other person lower the float until the top of the float is level with the bottom of your tank pump outlet. 
8. Move the red "empty" dial/indicator to where the black water level dial/indicator is pointing.
9. Replace the front clear cover. 
10. Retract the string and float to 90% level. Pinch the string with your finger against your Tank Gauge body to prevent the string retracting any further.
11. Bring your gauge and float up to the installation hole and lower the float through the installation hole until it rests in the water. Position the gauge body in and over the installation hole.
12. Position your gauge so that the "full" and "empty" indicators are clearly visible from the ground.
13. Using the supplied screws, secure your Tank Gauge to the top of your tank.



PRODUCT DIMENSIONS



ALL DIMENSIONS IN MM UNLESS OTHERWISE STATED.

DISCLAIMER This product specification is not a complete guide to product usage. Product specifications may change without notice. For more information visit rainharvesting.com.au. Keep this manual handy for future reference. © Rain Harvesting Pty Ltd.