

TECHNICAL DATA SHEET:

HIGH-FLOW FILTER SYSTEM

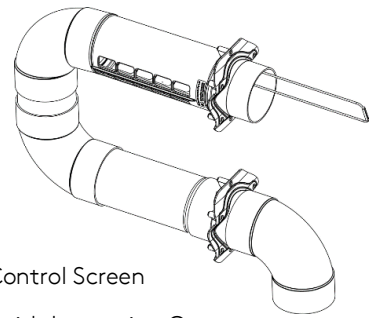
The Kingspan High-Flow filter incorporated with the Kingspan water tank range is designed to handle large roof catchment and high flow events through charge lines while filtering the water flow to the tank. Therefore, making this technology one of the most efficient on the market. The water from the charge line passes through the sediment control screen by filtering the water flow to the tank even if the filter is partially covered by debris. The High-Flow filter can manage water flow rates up to 600lpm with the filter still supplying water to the tank and the excess volume being bypassed to the storm water management system.

Features & Benefits

- › Australian first - designed and developed exclusively by Kingspan
- › Australian made
- › Designed for high efficiency filtration
- › Ability to handle large volumes of water flow per minute
- › Self cleaning
- › Continuous filtration
- › Designed to eliminate risk of overflow and flooding around structural footings
- › Excess water is bypassed into the storm water system
- › This filter is placed inside the tank, not exposed to sunlight which eliminates algae build up
- › Stainless Steel Sediment Control and Mosquito Screen is on the side of the tank making it easier to access the Side Inspection Port and clean
- › The tank can now be taller with this design
- › Appearance of tank is neater
- › Smaller footprint – saving on space

Recommended For

- › New home application
- › Designed for charged overflows to the street
- › Retrofitting to existing water tanks, subject to on-site inspections to determine suitability
- › Handling large volumes of water collection from severe weather events
- › Kingspan Water Tanks



Inclusions

- › Stainless Steel Sediment Control Screen
- › High-Flow Entry Junction with Inspection Cap
- › Tank Access Port

Location

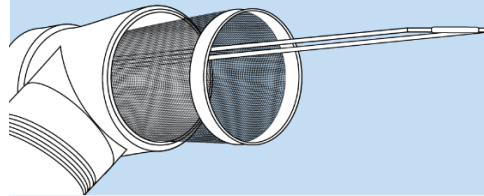
Tank position should allow for easy and clear access to High-Flow Entry Junction with Inlet Inspection Cap. Minimum 800mm clearance from any fixed construction to allow access to steel sediment control screen.

Physical Properties: Appearance

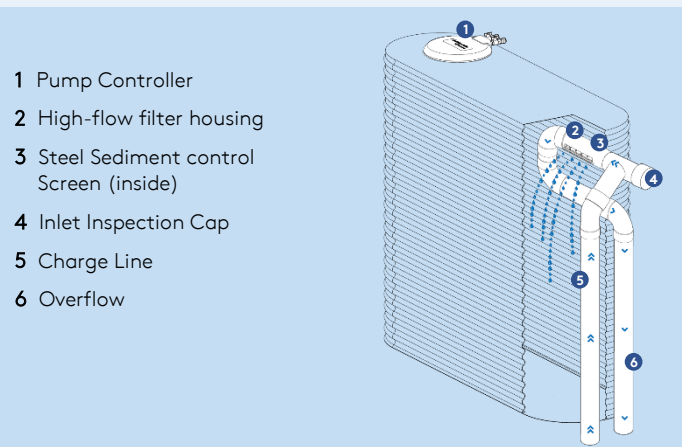
Length	400 x 98mm
Charged Inflow	100mm PVC stormwater
Overflow	100mm PVC stormwater

Stainless Steel Sediment Control Screen (inside)

Screen	1mm aperture, 304 Stainless Steel Mesh Screen
--------	---



High-Flow Entry Junction 100mm three-way junction with inspection cap.



We take every care to ensure that the information in this document is accurate at the point of publication. Information should not be taken as binding. To ensure you are viewing the most up to date information, please visit: <https://kingspanwatertanks.com.au/urbanhighflowfilterdatasheet>

©Kingspan and the Lion Device are Registered Trademarks of the Kingspan Group. All rights reserved. Registered Office: Kingspan Water & Energy Pty Limited, 3 Herbert Place, Smithfield, NSW 2164

